

PUMP TECHNOLOGY  
FOR INDUSTRIAL USE



# YOU CAN RELY ON THEM: BÖRGER ROTARY LOBE PUMPS



---

*Market leader for elastomer-coated rotary lobe pumps and experts for individual solutions. We are represented in more than 65 countries and remain on course for growth. Not only are we a global player but also an independent, family-owned and second generation managed company.*

*“Constantly making things better” has been our guiding principle right from the start. This is evident by the quality, durability and ease of maintenance of our products. Not only has it shaped our company history since 1975 with continuous new developments and innovations, it also is expressed in the honest and reliable partnership with customers, suppliers and staff.*

*Our pump solutions for industrial use are customized to the specific demand. Whether pumping chemically aggressive and highly viscous fluids, a mobile pump solution or for use in potentially explosive atmospheres – our experienced experts know the requirements, recommend suitable products or develop individual solutions for you. Highest quality “Made in Germany”.*

---



**BÖRGER**®

EXCELLENCE – MADE TO LAST

*Börger products are designed for trouble free, continuous operation. We want you to be able to work as effectively as possible. This is the reason why we only offer powerful and durable rotary lobe pumps with unbeatable ease of maintenance features.*



# PART OF EVERY INDUSTRY

## STATIONARY, MOBILE OR SUBMERGED

Whether on a drilling platform, in a sugar factory or in an explosion proof area of a chemical company, Börger rotary lobe pumps are used in almost all industrial sectors.

Due to the wide spectrum of pump sizes, materials and sealing solutions; we are perfectly suited for a wide variety of applications with different fluid types, wide flow ranges and local operating conditions. There is a reason our rotary lobe pump has become a synonym for flexibility and individuality.

### HIGHEST DEGREE OF PROCESS SAFETY

The pumps offer high performance with low space requirements and minimum energy consumption. Our product reliability and durability guarantee market leading system safety, giving you peace of mind.



**PAPER AND TEXTILE  
INDUSTRY**



**PAPER & TISSUE  
PRODUCTION**



**TEXTILE INDUSTRY**

**MARINE AND  
OFFSHORE**



**SHIPPING INDUSTRY**



**DISASTER RELIEF**



**OFFSHORE**

**SUGAR AND FOOD  
INDUSTRY**



**SUGAR &  
STARCH INDUSTRY**



**FOOD INDUSTRY**



**WINE INDUSTRY**

**OTHER  
INDUSTRIES**



**RECYCLING**



**VEHICLE CONSTRUCTION**



**OTHER**

# PRODUCT OVERVIEW

## INDUSTRIAL USE

---

*For more than four decades Börger has been known as a rotary lobe pump specialist. We are not just a pump manufacturer, we also offer customers complete custom solutions.*

*Each pump unit is manufactured in line with the customer's requirements. Special pump systems or mobile units are supplied "turn-key". We are up to the challenge. Put us to the test.*

---



### BLUELINE ROTARY LOBE PUMPS

High reliability and long service life of the BLUEline rotary lobe pump have convinced our customers for more than 30 years. The pump can be used for almost any pumping task due to the large range of rotors and flow rates of up to 6,600 gpm (1,500 m<sup>3</sup>/h).



### ONIXLINE ROTARY LOBE PUMPS

The newly developed ONIXline rotary lobe pump has been constructed for pumping demanding media at high pressures. Almost all sealing versions have sufficient space in the large sealing area. The perfect complement to the proven BLUEline pump.



## CONTROL PANEL TECHNOLOGY

On request, we provide a control unit which is perfectly configured for each specific product. The control technology is designed and programmed for the specific unit and its application by the Börger electrical engineering department.



## SUBMERGED PUMPS

Börger rotary lobe pumps can also be designed as vertical pumps. We make an individual solution for each installation length.



## COMPLETE SOLUTIONS

We offer complete solutions. Börger pump units are supplied from a single source. Börger designs and produces the base frame, the pump technology, the entire monitoring sensor system and the control technology themselves.

# BÖRGER ROTARY LOBE PUMPS

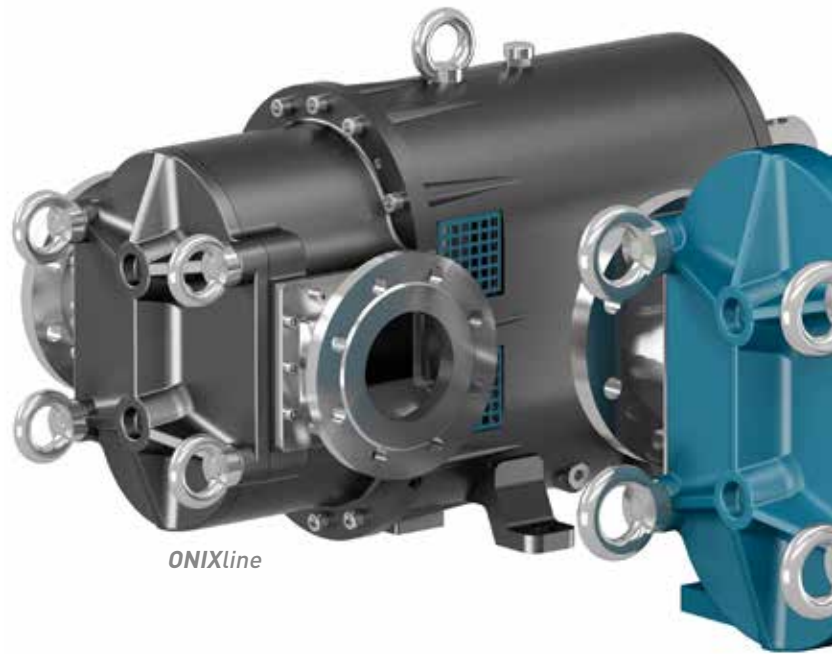
## POWERFUL. CUSTOMIZED

*Börger rotary lobe pumps convey different fluids, whether low or high viscosity, clean or containing solids, chemically aggressive or up to a temperature of 392 °F (200° C.) Due to the large selection of different materials, rotors and sealing systems, the pumps can be customized. Our pumps are available in BLUEline and ONIXline. With 25 different sizes and flow rates of 4 to 6.600 gpm (1 to 1,500 m³/h) – high performance with smallest footprint.*

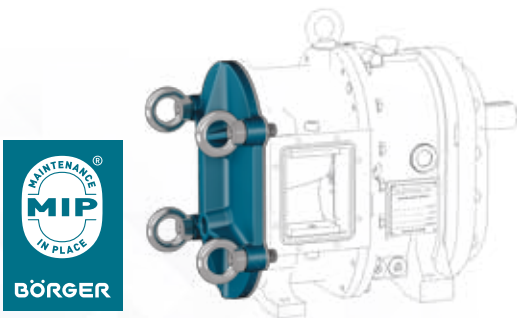


### OPERATING PRINCIPLE

Rotary lobe pumps are not sensitive to dry running and are self-priming positive displacement pumps. The synchronized rotation of the rotor pair and the increasing suction chamber create a vacuum on the priming side of the pump. This vacuum draws the liquid into the pump chamber. The pumped medium is conveyed past the pump wall into the pressure area by the rotors. The synchronized rotation of the rotor pair and the decreasing pressure chamber create an overpressure on the discharge side of the pump. The flow direction can easily be reversed by changing the direction of rotation.



ONIXline



### UNRIVALED LOW MAINTENANCE

Due to the cantilevered carrier design of the pump, the wear parts stressed by the pumped media can be replaced through the quick-release cover of the pump. All maintenance work can be done without the need to remove piping and the drive system.

### OUTSTANDING RANGE OF MATERIAL

The correct selection of material is important for the durability of a pump. For this reason, all components of our pumps are available in different materials. Using a modular principle, the most resistant material suitable for the relevant pumped medium is selected for each pump component, from the o-rings to the pump casing.





## ROTARY LOBE PUMPS AT A GLANCE

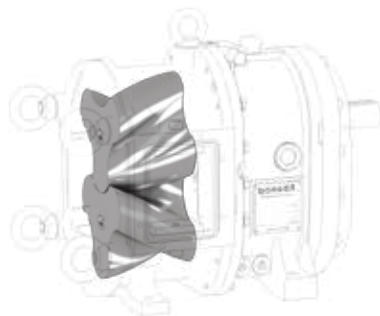
- + Flow variable proportional to pump speed
- + High performance with the smallest footprint
  - + Broad range of materials for all pump components
  - + Self-priming, pumping in slurrp operation
  - + Gentle pumping of shear-sensitive media
  - + Ease of maintenance (MIP)
    - + Resistant to solids
    - + Reversible

### UNIQUE BLOCK DESIGN

Each rotary lobe pump is equipped with a non-segmented pump and gear casing. This design reflects our high quality standard and guarantees long service life with ease of maintenance. The pump casing can be manufactured in cast iron, cast steel, stainless steel, duplex steel or Hastelloy®.



BLUEline



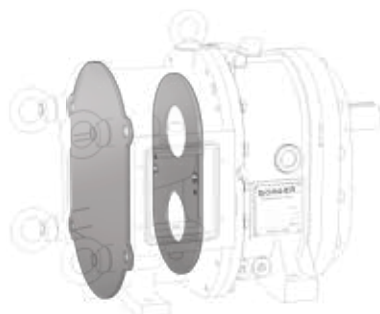
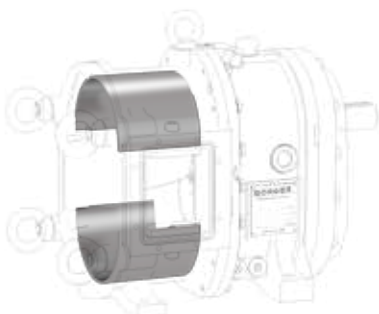
### VARIETY OF ROTORS

We offer a range of linear and screw rotors differentiated by geometry and material. Whether made of NBR, EPDM, FKM, stainless steel, steel or another material, we offer a suitable rotor for your application. Only single-piece rotors are used – Börger quality down to the last detail.



### SEAL SELECTION

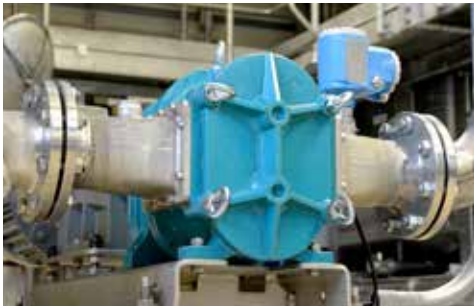
Our single- or double-acting mechanical seals are available in different versions and materials. The seals can be replaced very easily through the quick-release cover.



### UNIQUE CASING PROTECTION

In order to prevent pump casing damage, e.g. due to abrasive or aggressive fluids, Börger pumps can be equipped with casing protection. The unique casing liners and casing protection plates are available in different materials.

# TRIED AND TESTED. RELIABLE **BLUeline** ROTARY LOBE PUMP



BLUeline pump for conveying cleaning agents.

*The BLUeline rotary lobe pump is our proven “continuous runner”. The solids-resistant pump has been used successfully in different sectors for many years. The highest reliability and the long service life of the pump convince our customers.*

## WIDE VARIETY

21 pump sizes in six series and the large selection of materials and rotors (different geometric designs and materials) allow an individual design of the pump adapted to your application.

## CONSTRUCTIVE BENEFITS

- 1 The quick-release cover**  
Access to all wetted parts by simply loosening four ring nuts.
- 2 The rotors**  
Large selection of high-quality rotors.
- 3 The casing protection**  
The casing liners and casing protection plates protect the pump casing from wear and can be replaced in a matter of minutes.
- 4 Oil-filled intermediate chamber**  
The oil in the quench chamber cools and lubricates the seals. The intermediate chamber protects the gear unit from pumped medium leaking in if the seal is defective.
- 5 The carrier and timing gear**  
High-quality and maintenance-free carrier and timing gear.



## BLUELINE AT A GLANCE

- + 21 sizes
- + Flow rates of 4-6,600 usgpm
- + Highest degree of safety due to oil-filled quench chamber as standard
- + Large variety of materials for all components of the pump
- + A suitable rotor for each application

Pump series	Speed in rpm		Flow rate in usgpm		Max. pressure	Max. temp.
	Min.	Max.	Min.	Max.	in psi	in °F
<b>BLUEline AL</b>	50	800	3	159	174	to 392
<b>BLUEline PL</b>	50	700	11	660	174	to 392
<b>BLUEline CL</b>	50	600	34	837	174	to 392
<b>BLUEline FL</b>	50	600	75	1805	174	to 392
<b>BLUEline EL</b>	50	600	132	4843	145	to 392
<b>BLUEline XL</b>	50	600	229	7067	145	to 392



## ROTOR VARIETY

Up to 8 different rotor geometries in various materials are available for each pump size. Just the removable lobe tips of the patented rotor "Unique" have to be replaced in case of wear.



# UNIQUE. PRESSURE-RESISTANT **ONIXLINE** ROTARY LOBE PUMP



ONIXline pump for conveying Starch Slurry

*The ONIXline rotary lobe pump is the latest development of our pump range. The pump was developed with the most advanced flow simulation technology and decades of experience in rotary lobe pump construction.*

## PERFECTION DOWN TO THE LAST DETAIL

The ONIXline pump stands for gentle, practically pulsation-free pumping with maximized efficiency. The large sealing chamber makes the use of different sealing systems possible. The pump casing is equipped with integrated porting for the seals. A sealing circulation system can be connected via this porting. Alternatively, the porting can be used for seal flushing or barrier pressurization.

## CONSTRUCTIVE BENEFITS

- 1 The quick-release cover**  
Access to all wetted parts through the quick-release cover.
- 2 The optional casing protection**  
The casing liners and casing protection plates protect the pump casing from wear.
- 3 Flow-optimized inlet and outlet openings**  
Gentle and turbulence-free pumping of the medium due to flow-optimized inlet and outlet openings.
- 4 The rotors**  
The special rotor geometry with a 90° screw profile allows almost pulsation-free pumping with maximized efficiency.
- 5 The sealing area**  
Adaption of various shaft seal configurations in voluminous sealing area feasible.
- 6 The carrier and timing gear**  
Ensures the best efficiency combined with precise rotors and the flow-optimized pump casing.
- 7 Porting for circulation system**  
Option to integrate a mechanical seal buffer, flush or circulation system (a.= inlet | b.= outlet)



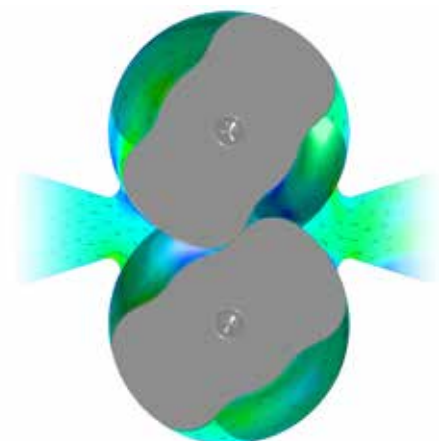
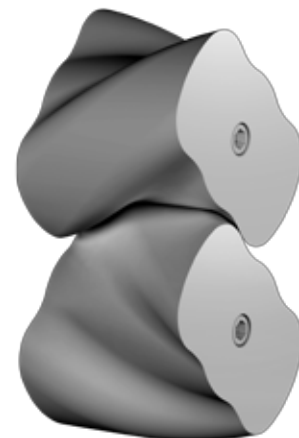
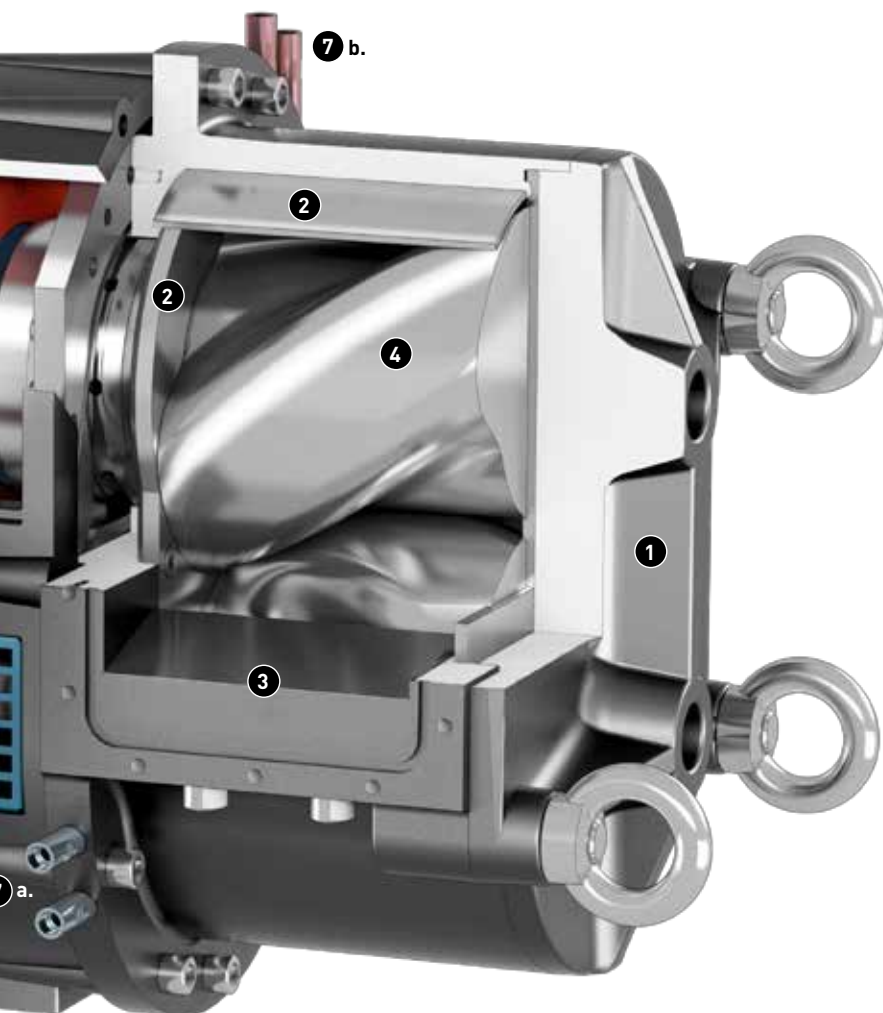
## ONIXLINE AT A GLANCE

- + Flow-optimized casing design
- + For pressure ranges of up to 232 psi (16 bar)
- + Almost pulsation-free pumping due to special rotor geometry
- + Large area for product-side shaft sealing systems available
- + Energy efficient

Pump series	Speed in rpm		Flow rate in usgpm		Max. pressure	Max. temp.
	Min.	Max.	Min.	Max.	in psi	in °F
<b>ONIXline BJ 090</b>	50	800	12	190	232	to 392
<b>ONIXline BJ 140</b>	50	800	18	296	190	to 392
<b>ONIXline BL 190</b>	50	800	25	400	232	to 392
<b>ONIXline BL 280</b>	50	800	37	592	190	to 392

## MAXIMIZED EFFICIENCY

The newly developed rotors (with 90° screw profile) in a flow-optimized pump casing in combination with the very robust carrier and timing gear ensure the best efficiency even with high pressures.



# MULTI-FACETED AND SAFE THE BÖRGER SEALS

*In order to protect the gear unit or the atmosphere from the pumped medium, suitable shaft seals are very important. Börger offers different mechanical seals. Several supply systems for the seals can be selected.*

## SEAL VARIETY

Know-how gained from several decades of pump and mechanical seal construction has been used to build each Börger seal. In order to be able to select a seal which is perfectly suited to every single application, we offer different versions of our single- and double-acting mechanical seals.

Seal faces, elastomers and seal casings made of different materials make sure that the most resistant and durable materials are used for each pumped medium. All seal types are available as a cartridge unit and are simply replaced through the quick-release cover of the pump.

Mechanical seals of other manufacturers can also be installed upon request. In addition, there is the option to integrate a quench chamber, flush or thermosiphon system.

### SEALS AT A GLANCE

- + Different Börger seals
- + Single-acting and double-acting mechanical seals
- + Available as a cartridge unit
- + Many different material combinations possible
- + Special rotating holding bushes for fibrous media
- + Compliance with ATEX and TA Luft (Technical Instructions on Air Quality Control)



# MAINTENANCE IN PLACE (MIP)

## SIMPLE. EASE OF MAINTENANCE



**BÖRGER**

*Repairs and downtimes are time-consuming and costly. To maximize your production time with minimized interruptions, your operating and maintenance personnel can inspect and if necessary replace all product wetted parts onsite.*

Börger pumps are designed for trouble-free, continuous operation and incorporate unbeatable ease of maintenance features. All components are extremely resilient and durable.

Instead of expensive maintenance contracts, Börger offers MIP (Maintenance in Place). Control maintenance and repair procedures yourself. Product wetted parts can be replaced directly at the installation site of the pumps without the need to remove piping and the drive system. Easily and quickly, with the smallest footprint, by your own personnel.



# OVERPRESSURE PROTECTION

## THE VARIOCAP



Rotary lobe pump and Variocap in ATEX-compliant design

*The Variocap is an easy and effective option to install overpressure protection at your Börger pump. Using a purely mechanical process, the pump is protected from uncontrolled pressure surges. Reversibility is maintained.*

### OPERATING PRINCIPLE

The force resulting from the pump pressure acts on the fluid wetted part of the vario cap, which consists of an outer ring and an inner, spring-loaded closing plate. As long as the spring force is larger than the pressure force in the pump chamber, the plate remains in the sealing position. As soon as the pressure exceeds the set spring force, the plate moves axially and allows the pumped medium to flow back from the pressure side to the suction side. When the pump pressure decreases, the gap closes again.

Due to an installed elastic seal diaphragm, the complete Variocap is hermetically sealed and the other moving parts are non-wetted.

### CONSTRUCTION

#### 1 Adjustment unit

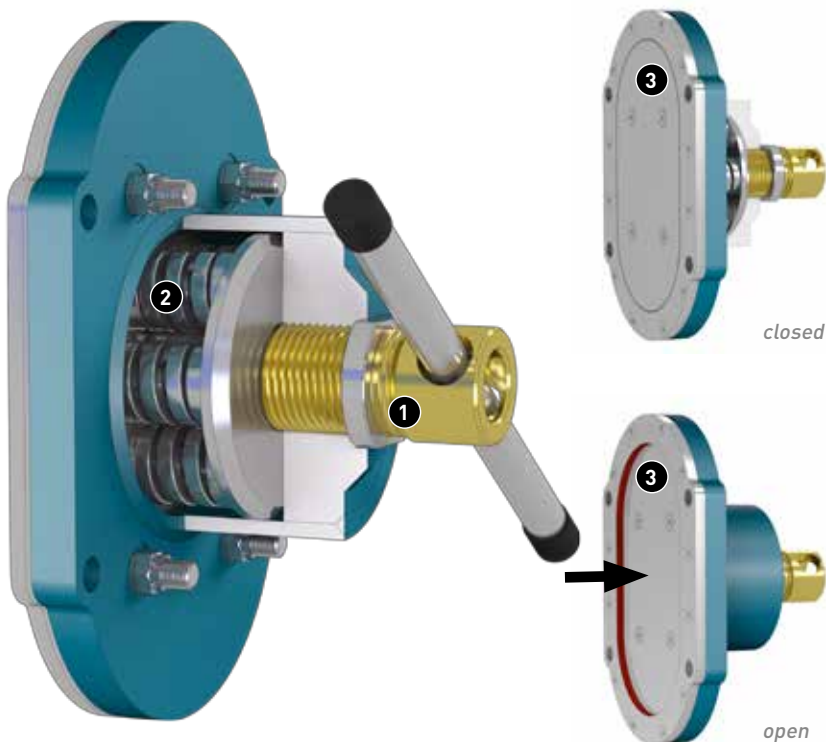
The opening pressure of the Variocap can be adjusted by simply turning the adjustment unit.

#### 2 The closing springs

The closing springs are tensioned by means of the adjustment unit. The higher the tension, the higher the required pressure in the pump chamber for opening the Variocap.

#### 3 The closing plate

The closing springs press against the closing plate. If the pressure in the pump chamber exceeds the set counter pressure of the closing springs, the closing plate is pressed backwards. Pressure is equalized in the pump chamber.





# DIVERSITY DOWN TO THE LAST DETAIL

## THE HEATABLE PUMP

*The pump chamber can be heated by means of the heater jacket. This way, sensitive fluids are prevented from cooling down during the pumping process.*



*BLUEline pump with heater jacket and heater cover*

### OPERATING PRINCIPLE

The heating jacket can be retrofitted. It easily fastens to the outside of the pump casing. The heating jacket heats the pump casing and prevents the pumped medium from cooling down. This way, for example, grease with a low melting point is prevented from hardening in the pump. Hot water, steam or thermal oil can be utilized.

In addition to the heating jacket, Börger pumps can be equipped with a heating cover. It replaces the quick-release cover, and increases the heating effect in the pump chamber.



### CONSTRUCTION

- 1 The heating elements**  
*The heating elements are installed at the top and bottom surfaces of the pump casing.*
- 2 The attachment**  
*Four screws are used to attach the heater jacket to the pump.*
- 3 The heat supply line**  
*The heater jacket is supplied with the heat carrier by means of the heat supply line.*

# COMPLETE SOLUTIONS EVERYTHING FROM A SINGLE SOURCE



*Börger offers ready-to-connect solutions. Börger pump units are supplied from a single source. Börger designs and produces the base frame, the pump technology, the monitoring sensor system and the control technology themselves – in line with your requirements with perfectly matched components.*

## READY-TO-CONNECT COMPLETE UNITS

Börger builds each pump unit completely themselves. Our design department works hand in hand with the Börger departments of metal construction, machining and electrical engineering and control technology. Whether mobile or stationary, with filter unit or electronic flow meter, Börger configures the pump unit exactly to your specification.



## TECHNICAL DOCUMENTATION

We prepare all necessary technical documentation for you. Our technical editors work closely with the sales engineers and our design department. Certified staff guarantees compliance with all guidelines. We prepare individual inspection records for the pump handover at our own pump testing facility.

## COMPLETE SOLUTIONS AT A GLANCE

- + Customized
- + Perfectly matched components
- + Compliance with ATEX and TA Luft (Technical Instructions on Air Quality Control)
- + "Everything from a single source" – designed and built by Börger
- + Ready-to-connect complete units
- + API-676-compliant design



## BÖRGER CONTROL TECHNOLOGY

Our engineers develop, program and build the control technology tailored to your specific purpose in our electrical engineering department. All monitoring devices such as temperature monitoring, electronic seal monitoring or overpressure protection are controlled and monitored by the control technology which is easy to operate.



## DESIGN COMPLIANT WITH GUIDELINES

All Börger pump units can be manufactured according to the European ATEX guidelines (94/9/EG) intended for use in potentially explosive atmospheres. In addition, an API-676-compliant design, production according to the FDA regulations or a technically tight pump design according to the German TA Luft requirements are possible.

# MOBILE PUMPS CAN BE USED FLEXIBLY

*Many sectors require flexible, mobile pump systems for deployment on short notice. Börger rotary lobe pumps are especially suitable for mobile use due to their compact design. As versatile as mobile pump solutions from Börger are, they have one thing in common: they are configured to the customers' specification.*

Years of experience are reflected in each Börger mobile pump. We offer complete solutions – the trailer, the pump technology and the electrical control. The rotary lobe pumps can be driven by an electric drive, a hydraulic motor, a combustion engine or the cardan shaft of a vehicle depending on the application.

## HAND CART PUMP

The compact hand cart pumps can be pushed very easily to different application sites. As an aluminum lightweight version, the pump and drive can be carried to places which are difficult to access. Despite their compact size, the pumps are very powerful.

## TANKER TRUCK PUMP

A large number of tanker trucks are on the road every day, transporting liquids from A to B. Local pumping stations for filling and emptying the tanker truck are not always available. Using a Börger rotary lobe pump is recommended for this purpose. Due to the high flow rate with the smallest footprint and the option to operate in reverse, our pumps are the perfect tanker truck pumps and can be installed directly on the tanker truck.

## MOBILE UNIT

If a very high flow rate is required, Börger pumps with flow rates of up to 6,600 gpm (1,500 m<sup>3</sup>/h) are installed on car or truck trailers. The mobile unit can also be transported to the application site by a wheeled loader or a forklift truck. The pumps can be very easily operated by means of the user-friendly control element. Motor and pump activity are monitored and controlled on the basis of various parameters. All Börger mobile pumps can be manufactured for use in potentially explosive atmospheres.



**HAND CART PUMP**



**TANKER TRUCK PUMP**



**MOBILE UNIT**

# BÖRGER SUBMERGED PUMPS

## COMPACT AND CUSTOMIZED



Compact rotary lobe pump with submersible motor

*Submerged and semi-submerged pumps are used if dry installation is not possible due to the NPSH value of the plant. The compact design, chemical resistance, variable flow rate and ability to pump highly viscous media without problems are the reasons why the Börger rotary lobe pump is an ideal submerged pump.*

### CONSTRUCTION

- 1 The drive**  
*The motor of the pump shown remains outside of the medium. (alternative: submersible motor)*
- 2 The installation cover**  
*The dome cover can be supplied in all connection dimensions.*
- 3 The coupling**  
*The coupling connects the drive with the pump. The coupling is covered by a coupling guard tube.*
- 4 The riser pipe**  
*The medium is pumped upwards through this pipe.*
- 5 The sealing and fill level indicators**  
*monitor the fill levels of the intermediate chamber and gear unit. An electronic monitoring unit can be installed on request.*



## SUBMERSIBLE PUMPS AT A GLANCE

- + Customized
- + Chemically resistant
- + Installation lengths according to the specific applications
- + Gentle pumping of shear-sensitive products
- + Short-term dry-run capability
- + API-676-compliant
- + ATEX-compliant

### INDIVIDUALITY

Whether attached to an assembly plate or a wall bracket, installed on supporting feet or lowered by means of guide rails – there are hardly any limits when installing a Börger rotary lobe pump. Please find a selection of options here:

#### WITH ANGULAR ASSEMBLY PLATE



#### ON A WALL BRACKET



#### ON SUPPORTING FEET



#### SEMI-SUBMERGED PUMP WITH SLING BAR



#### SEMI-SUBMERGED PUMP WITH SLING BAR



#### WITH BEVEL GEAR



# BÖRGER®

EXCELLENCE – MADE TO LAST



**BÖRGER®**  
Headquarter

**Boerger, LLC**  
Chanhassen, MN 55317, USA  
Phone +1 612 435 7300  
america@boerger.com

**Börger GmbH**  
Borken-Weseke, Germany  
info@boerger.de

**Börger France S.A.R.L.**  
Wittersheim, France  
info@boerger.fr

**Boerger Polska Sp. z o.o.**  
Gliwice, Poland  
info@boerger.pl

**Börger UK Limited**  
Staffordshire, England  
uk@boerger.com

**Börger Benelux**  
Ootmarsum, Netherlands  
info@boerger-pumps.nl

**Boerger, LLC**  
Concepción, Chile  
america@boerger.com

**Boerger Pumps (Shanghai) Co. Ltd.**  
Pudong, Shanghai, China  
shanghai@boerger.com

**Boerger Pumps Asia Pte Ltd**  
Singapore  
asia@boerger.com

**Boerger Pumps Asia Pte Ltd**  
Gurgaon, Haryana, India  
india@boerger.com

[www.boerger.com](http://www.boerger.com)