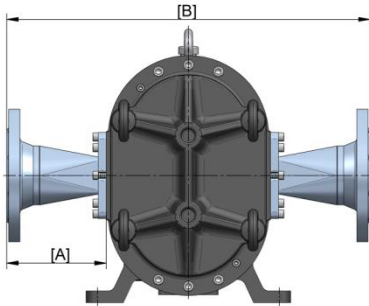


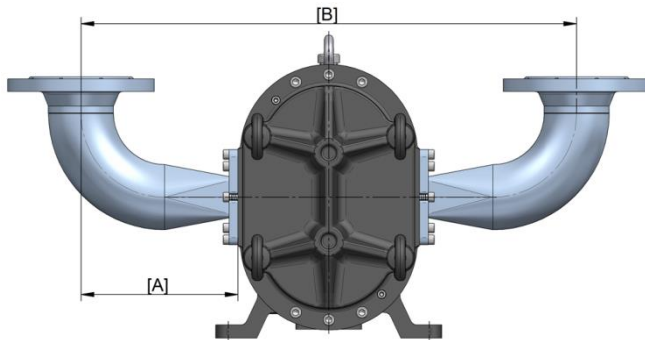
Production-related deviations in individual dimensions within an acceptable tolerance cannot be ruled out.
Requests for dimensions regarding a specific order are welcome.



Design 1 | Short, straight pipe connectors with connection flange and O-ring seal (approx.)

Nominal diameter:	Standard: Dimension:	Size							
		BJ 090				BJ 140			
		DIN/DIN EN		ANSI/ASME		DIN/DIN EN		ANSI/ASME	
A	B	A	B	A	B	A	B		
DN 50 (2")		150	548	175	598	—	—	—	—
DN 65 (2½")		150	548	175	598	150	548	175	598
DN 80 (3")		150	548	170	588	150	548	170	588
DN 100 (4")		150	548	174	596	150	548	174	596
DN 125 (5")		200	648	234	716	200	648	234	716
DN 150 (6")		200	648	234	716	200	648	234	716

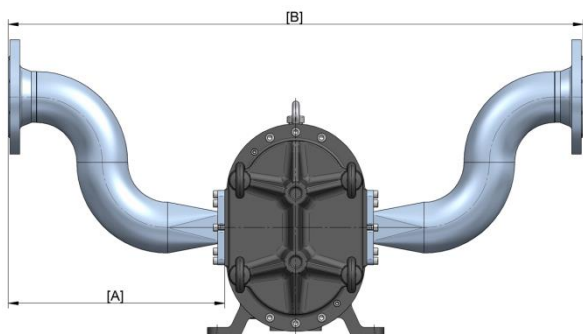
Production-related deviations in individual dimensions within an acceptable tolerance cannot be ruled out. Requests for dimensions regarding a specific order are welcome.



Design 2 | 90° elbow up in mm (approx.)

Nominal diameter:	Standard: Dimension:	Size							
		BJ 090				BJ 140			
		DIN/DIN EN		ANSI/ASME		DIN/DIN EN		ANSI/ASME	
A	B	A	B	A	B	A	B		
DN 65 (2½")		200	648	200	648	200	648	200	648
DN 80 (3")		214	676	214	676	214	676	214	676
DN 100 (4")		251	648	251	750	251	648	251	750
DN 125 (5")		335	918	335	918	335	918	335	918
DN 150 (6")		374	996	374	996	374	996	374	996

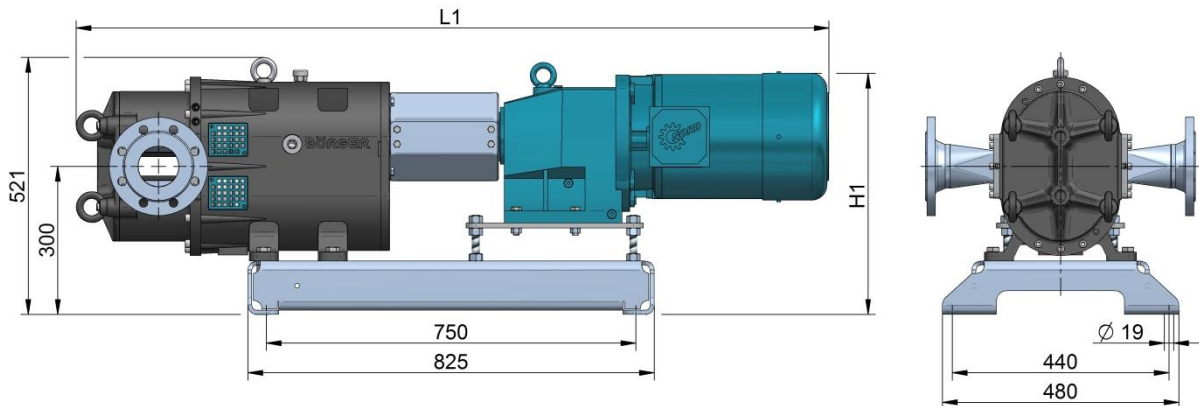
Production-related deviations in individual dimensions within an acceptable tolerance cannot be ruled out. Requests for dimensions regarding a specific order are welcome.



Design 6 | Gooseneck version in mm (approx.)

Nominal diameter:	Standard: Dimension:	Size							
		BJ 090				BJ 140			
		DIN/DIN EN		ANSI/ASME		DIN/DIN EN		ANSI/ASME	
A	B	A	B	A	B	A	B		
DN 65 (2½")		340	928	365	978	340	928	365	978
DN 80 (3")		378	1004	398	1044	378	1004	398	1044
DN 100 (4")		454	928	478	1204	454	928	478	1204
DN 125 (5")		580	1408	615	1478	581	1410	615	1478
DN 150 (6")		658	1564	692	1632	658	1564	692	1632

Production-related deviations in individual dimensions within an acceptable tolerance cannot be ruled out. Requests for dimensions regarding a specific order are welcome.



Standard unit in mm (approx.)

Drive [kW]	Size					
	Weight [kg]	BJ 090		Weight [kg]	BJ 140	
		Dimensions			Dimensions	
		L1	H1		L1	H1
2,2	approx. 300	1355	460	—	—	—
3	approx. 335	1355	460	—	—	—
4	approx. 345	1400	470	approx. 355	1440	470
5,5	approx. 350	1490	490	approx. 360	1530	490
7,5	approx. 355	1500	490	approx. 365	1540	490
9,2	approx. 360	1505	490	approx. 370	1545	490
11	approx. 395	1565	515	approx. 405	1605	515
15	—	—	—	approx. 430	1610	515

Production-related deviations in individual dimensions within an acceptable tolerance cannot be ruled out.
Requests for dimensions regarding a specific order are welcome.