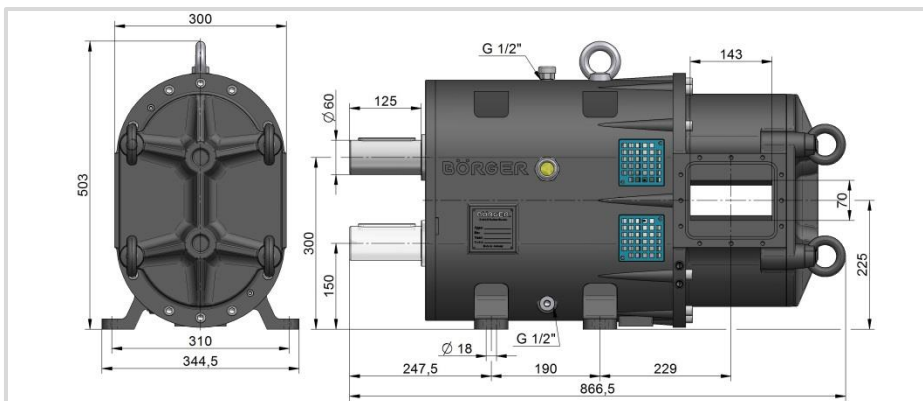


**BL 190**

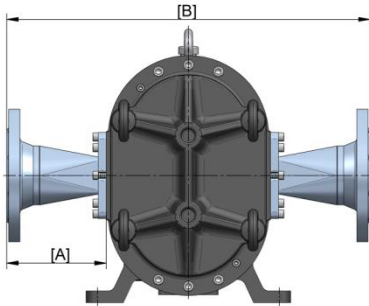
Weight: 292 kg  
(644 lbs)



**BL 280**

Weight: 314 kg  
(692 lbs)

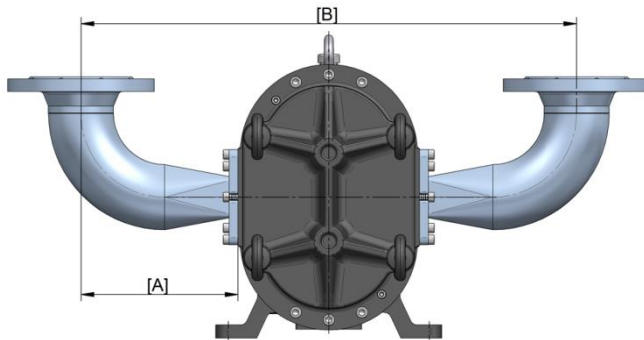
Production-related deviations in individual dimensions within an acceptable tolerance cannot be ruled out.  
Requests for dimensions regarding a specific order are welcome.



**Design 1 | Short. straight pipe connectors with connection flange and O-ring seal. in mm / inches (approx.)**

Nominal diameter:	Standard: Dimension:	Size							
		BL 190				BL 280			
		DIN/DIN EN		ANSI/ASME		DIN/DIN EN		ANSI/ASME	
		A	B	A	B	A	B	A	B
DN 80	mm	150	600	170	640	—	—	—	—
3"	inch	<b>5.91</b>	<b>23.62</b>	<b>6.69</b>	<b>25.20</b>	—	—	—	—
DN 100	mm	150	600	174	648	150	600	174	648
4"	inch	<b>5.91</b>	<b>23.62</b>	<b>6.85</b>	<b>25.51</b>	<b>5.91</b>	<b>23.62</b>	<b>6.85</b>	<b>25.51</b>
DN 125	mm	200	600	234	768	200	700	234	768
5"	inch	<b>7.87</b>	<b>23.62</b>	<b>9.21</b>	<b>30.24</b>	<b>7.87</b>	<b>27.56</b>	<b>9.21</b>	<b>30.24</b>
DN 150	mm	200	700	234	768	200	700	234	768
6"	inch	<b>7.87</b>	<b>27.56</b>	<b>9.21</b>	<b>30.24</b>	<b>7.87</b>	<b>27.56</b>	<b>9.21</b>	<b>30.24</b>
DN 200	mm	300	900	340	980	300	900	340	980
8"	inch	<b>11.81</b>	<b>35.43</b>	<b>13.39</b>	<b>38.58</b>	<b>11.81</b>	<b>35.43</b>	<b>13.39</b>	<b>38.58</b>
DN 250	mm	—	—	—	—	300	900	346	992
10"	inch	—	—	—	—	<b>11.81</b>	<b>35.43</b>	<b>13.62</b>	<b>39.06</b>

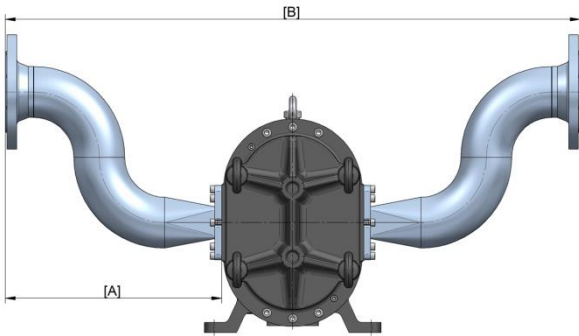
Production-related deviations in individual dimensions within an acceptable tolerance cannot be ruled out. Requests for dimensions regarding a specific order are welcome.



**Design 2 | 90° elbow up in mm / inches (approx.)**

Nominal diameter:	Standard: Dimension:	Size							
		BL 190				BL 280			
		DIN/DIN EN		ANSI/ASME		DIN/DIN EN		ANSI/ASME	
		A	B	A	B	A	B	A	B
DN 80	mm	214	728	214	728	—	—	—	—
3"	inch	<b>8.43</b>	<b>28.66</b>	<b>8.43</b>	<b>28.66</b>	—	—	—	—
DN 100	mm	251	802	251	802	251	802	251	802
4"	inch	<b>9.88</b>	<b>31.57</b>	<b>9.88</b>	<b>31.57</b>	<b>9.88</b>	<b>31.57</b>	<b>9.88</b>	<b>31.57</b>
DN 125	mm	335	728	335	970	335	970	335	970
5"	inch	<b>13.19</b>	<b>28.66</b>	<b>13.19</b>	<b>38.19</b>	<b>13.19</b>	<b>38.19</b>	<b>13.19</b>	<b>38.19</b>
DN 150	mm	374	1048	374	1,048	374	1,048	374	1,048
6"	inch	<b>14.72</b>	<b>41.26</b>	<b>14.72</b>	<b>41.26</b>	<b>14.72</b>	<b>41.26</b>	<b>14.72</b>	<b>41.26</b>
DN 200	mm	543	1386	543	1,386	543	1,386	543	1,386
8"	inch	<b>21.38</b>	<b>54.57</b>	<b>21.38</b>	<b>54.57</b>	<b>21.38</b>	<b>54.57</b>	<b>21.38</b>	<b>54.57</b>
DN 250	mm	—	—	—	—	613	1,526	613	1,526
10"	inch	—	—	—	—	<b>24.13</b>	<b>60.08</b>	<b>24.13</b>	<b>60.08</b>

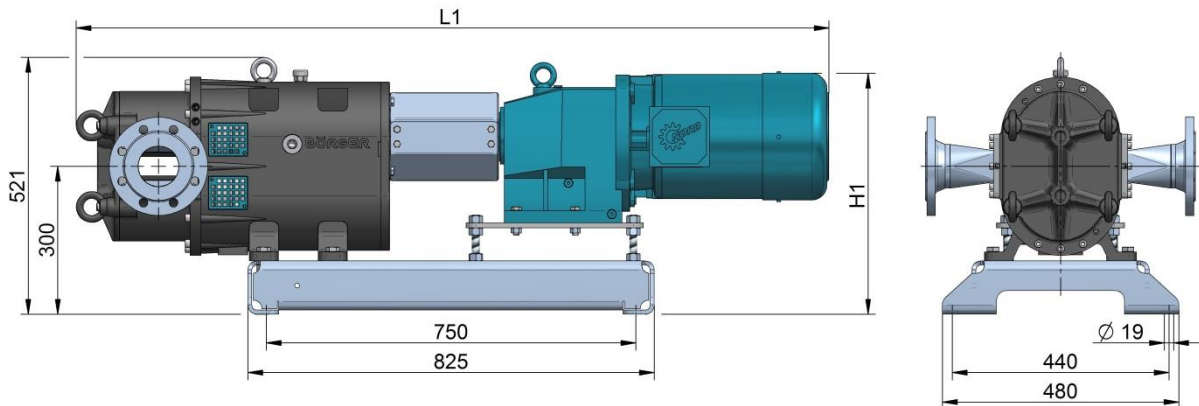
Production-related deviations in individual dimensions within an acceptable tolerance cannot be ruled out. Requests for dimensions regarding a specific order are welcome.



**Design 6 | Gooseneck version in mm / inches (approx.)**

Nominal diameter:	Standard: Dimension:	Size							
		BL 190				BL 280			
		DIN/DIN EN		ANSI/ASME		DIN/DIN EN		ANSI/ASME	
A	B	A	B	A	B	A	B		
DN 80	mm	378	1,056	398	1,096	—	—	—	—
3"	inch	<b>14.88</b>	<b>41.57</b>	<b>15.67</b>	<b>43.15</b>	—	—	—	—
DN 100	mm	454	1,208	478	1,256	454	1,208	478	1,256
4"	inch	<b>17.87</b>	<b>47.56</b>	<b>18.82</b>	<b>49.45</b>	<b>17.87</b>	<b>47.56</b>	<b>18.82</b>	<b>49.45</b>
DN 125	mm	580	1,056	614	1,528	580	1,460	614	1,528
5"	inch	<b>22.83</b>	<b>41.57</b>	<b>24.17</b>	<b>60.16</b>	<b>22.83</b>	<b>57.48</b>	<b>24.17</b>	<b>60.16</b>
DN 150	mm	658	1,616	692	1,684	658	1,616	692	1,684
6"	inch	<b>25.91</b>	<b>63.62</b>	<b>27.24</b>	<b>66.30</b>	<b>25.91</b>	<b>63.62</b>	<b>27.24</b>	<b>66.30</b>
DN 200	mm	910	2,120	950	2,200	910	2,120	950	2,200
8"	inch	<b>35.83</b>	<b>83.46</b>	<b>37.40</b>	<b>86.61</b>	<b>35.83</b>	<b>83.46</b>	<b>37.40</b>	<b>86.61</b>
DN 250	mm	—	—	—	—	1,062	2,424	1,108	2,515
10"	inch	—	—	—	—	<b>41.81</b>	<b>95.43</b>	<b>43.62</b>	<b>99.02</b>

Production-related deviations in individual dimensions within an acceptable tolerance cannot be ruled out.  
Requests for dimensions regarding a specific order are welcome.



Standard unit in mm / inches (approx.)

Drive	Size					
	Weight	BL 190		Weight	BL 280	
		Dimensions			Dimensions	
		L1	H1		L1	H1
7.5 kW <b>10 HP</b>	approx. 485 kg <b>approx. 1,069 lbs</b>	1,570 mm <b>61.81 inch</b>	555 mm <b>21.85 inch</b>	—	—	—
9.2 kW <b>15 HP</b>	approx. 505 kg <b>approx. 1,113 lbs</b>	1,605 mm <b>63.19 inch</b>	555 mm <b>21.85 inch</b>	—	—	—
11 kW <b>15 HP</b>	approx. 540 kg <b>approx. 1,190 lbs</b>	1,685 mm <b>66.34 inch</b>	555 mm <b>21.85 inch</b>	—	—	—
15 kW <b>20 HP</b>	approx. 570 kg <b>approx. 1,257 lbs</b>	1,720 mm <b>67.72 inch</b>	580 mm <b>22.83 inch</b>	approx. 595 kg <b>approx. 1,312 lbs</b>	1,770 mm <b>69.68 inch</b>	580 mm <b>22.83 inch</b>
18.5 kW <b>25 HP</b>	approx. 620 kg <b>approx. 1,367 lbs</b>	1,880 mm <b>74.02 inch</b>	600 mm <b>23.62 inch</b>	approx. 655 kg <b>approx. 1,444 lbs</b>	1,930 mm <b>75.98 inch</b>	600 mm <b>23.62 inch</b>
22 kW <b>30 HP</b>	approx. 625 kg <b>approx. 1,378 lbs</b>	1,880 mm <b>74.02 inch</b>	605 mm <b>23.82 inch</b>	approx. 650 kg <b>approx. 1,433 lbs</b>	1,930 mm <b>75.98 inch</b>	605 mm <b>23.82 inch</b>
30 kW <b>40 HP</b>	—	—	—	approx. 795 kg <b>approx. 1,753 lbs</b>	2,060 mm <b>81.10 inch</b>	630 mm <b>24.80 inch</b>
37 kW <b>50 HP</b>	—	—	—	approx. 840 kg <b>approx. 1,852 lbs</b>	2,060 mm <b>81.10 inch</b>	650 mm <b>25.59 inch</b>

Production-related deviations in individual dimensions within an acceptable tolerance cannot be ruled out.  
Requests for dimensions regarding a specific order are welcome.