

# SMIMO160,

## Technical Data



**smicon**  
ENGINEERING YOUR PROCESS



v2

### Dimensions

Machine general (mm)	4430x2430x1540 (lxwxh)
Infeed (mm)	898x504 (lxw)
Outfeed organic (mm)	2993x844 (lxw)
Outfeed packaging (mm)	844x280 (lxw)
Transport dimensions (mm)	4540x2280x1820 (lxwxh)
Transport volume (m <sup>3</sup> )	19
Clear zone (mm)	8440x4500 (lxwxh)
Filter surface (m <sup>2</sup> )	4,5
Filter mesh size (Ø,mm)	8,12,15,20,25,30,50,70

### Weight

Weight (kg)	7100
Floor load (kN)	35 per feet (see □ ) Dynamic
Transport weight (kg)	7300

### Drive

Power shaft (kW)	75/90/110
Power filter drum (kW)	0,75
R.p.m. shaft	500
R.p.m. filter drum	2,5
IP rating	56

### Product information

Capacity (m <sup>3</sup> /hour)	0 – 45
Temperature product (°C)	0 – 70

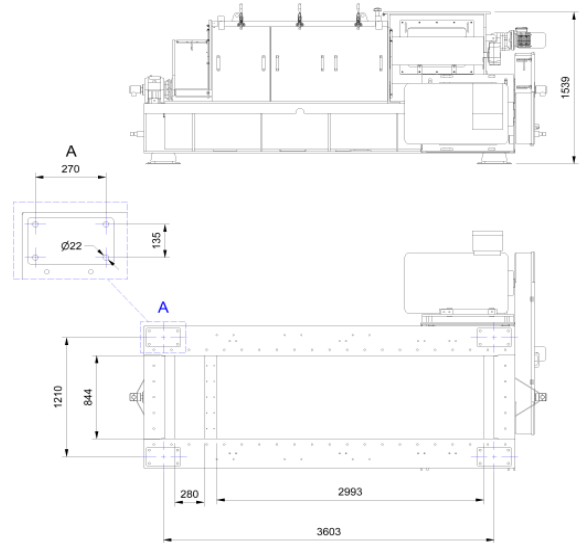
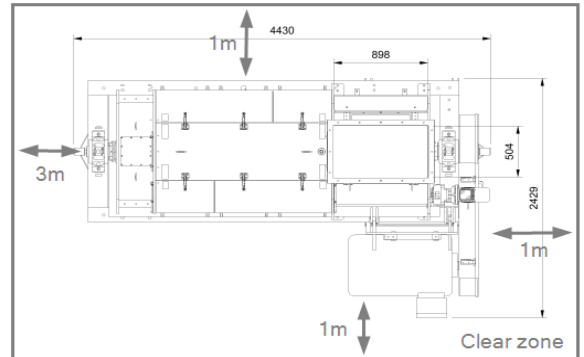
### Liquid feed

Connection	1" BSP
Temperature (°C)	max. 70
Pressure (bar)	max. 5
Capacity (m <sup>3</sup> /hour)	18
Fouling (mm)	max. Ø2

### Other specifications

A-weighted sound pressure level (dB)	80
C-weighted instantaneous sound pressure (dB)	<130

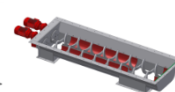
All data are without accessories and specifications depend on used products



### Accessories



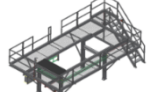
Infeed funnel



Double conveyor screw



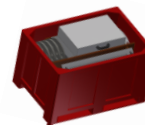
Frame



Platform



Cleaning System



Service box



Crane